

University of California at Berkeley
College of Engineering
Dept. of Electrical Engineering and Computer Sciences

EE 105 Midterm 2

Spring 2007

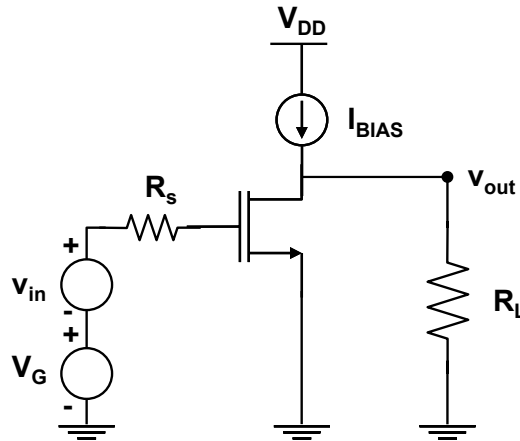
Prof. Ming C. Wu

April 5, 2007

Guidelines

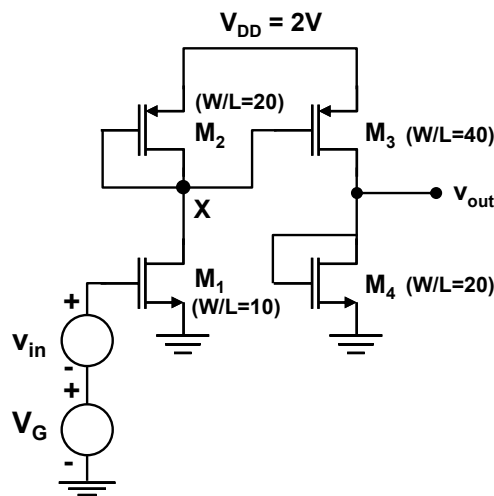
- Open book and notes.
- The values of common parameters are listed at the beginning of next page.

- (1) Consider the following amplifier. The small-signal parameters for the transistor M1 are: $g_m = 0.1 \text{ mS}$, $r_o = 100 \text{ k}\Omega$, $R_s = 1 \text{ k}\Omega$, $R_L = 100 \text{ k}\Omega$, $C_{GD} = 10 \text{ fF}$, $C_{GS} = 100 \text{ fF}$, $C_{DB} = C_{SB} = 10 \text{ fF}$.
- [10 pt] What is the small-signal voltage gain of the amplifier?
 - [5 pt] Draw the circuit with all parasitic capacitances. Reduce the diagram to minimum number of capacitances.
 - [10 pt] How many poles are there? Find all the pole frequencies.
 - [5 pt] What is the 3-dB frequency of this amplifier (in Hz)?



- (2) The following is a two-stage amplifier. Use the following parameters for this problem: $\mu_n C_{ox} = 100 \mu\text{A}/\text{V}^2$, $\mu_p C_{ox} = 50 \mu\text{A}/\text{V}^2$, $(W/L)_1 = 10$, $(W/L)_2 = 20$, $(W/L)_3 = 40$, $(W/L)_4 = 20$, $V_G = 1\text{V}$. The threshold voltages are $V_{TH} = 0.4 \text{ V}$ for NMOS and -0.4V for PMOS. Ignore channel length modulation.

- [15 pt] Find the DC voltage of the output node, V_{OUT} (*Hint: Find the DC voltage at Node X first*)
- [15 pt] Find the expression and the numerical value of the total voltage gain.



(3) Consider the following circuit. Use the following parameters for this problem: $\mu_n C_{ox} = 100 \mu\text{A}/\text{V}^2$, $\mu_p C_{ox} = 50 \mu\text{A}/\text{V}^2$, $\lambda_n = \lambda_p = 0.1 \text{ V}^{-1}$, $R_S = 100\Omega$. The (W/L) values of the MOS transistors are marked in the diagram.

- [10 pt] What is the function of the circuit? Which is the main amplifying transistor?
- [5 pt] What is the current going through M4-M5? What is the drain current going through M3-M1-M2?
- [5 pt] If we use a current source as input, and measure the output current, what is the small-signal current gain of this amplifier?
- [5 pt] Find the value of g_{m1} .
- [5 pt] What is the equivalent input circuit seen by the source, v_{in} ? What is v_s / v_{in} ?
- [10 pt] What is the expression of the voltage gain of this amplifier? What is its numeric value?

